



WELVET 81205

TOOLBOX 685 mm



External dimensions (mm): 685x500x500
Weight (kg): 6,50
Optimal load (kg): 50
Capacity (lt): 109

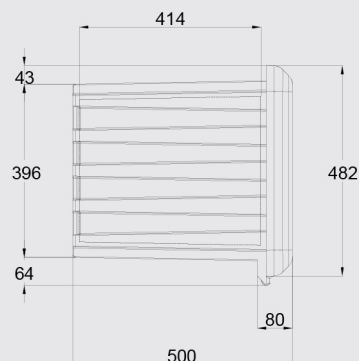
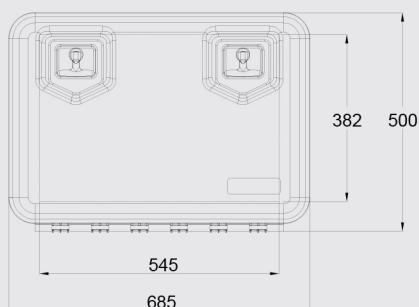
Quantity per pallet (n°): 16
Pallets dimensions (cm): 104x140x221

TECHNICAL FEATURES

Material: polypropylene
Production process: Injection Molding
Label with company logo

COMPONENTS

- Nylon handle
- EPDM seal



PRODUCT FEATURES

- 1 Lock with cylinder
- 2 The Innovative compression locking system with a hook guarantees perfect cohesion between body and lid
- 3 Body-lid fixing system with 6 contact points which guarantees fast assembling and reliability in everyday use
- 4 Reinforced structure to ensure solidity and durability
- 5 Shelf in PP with integrated document holder (optional)
- 6 Logistics optimization thanks to the stackability of the disassembled product (fast and intuitive to assemble)



OPTIONALS

VERTICAL BRACKETS
HORIZONTAL BRACKETS

SPARE PARTS: 89020, 85990008
OPTIONS: Resin label, Shelves, Chain