



SLIDEN

FIRE EXTINGUISHER CABINET 6 kg



External dimensions (mm): 265x280x595

Internal dimensions (mm): 205x210x561

Weight (kg): 2,1

TECHNICAL FEATURES

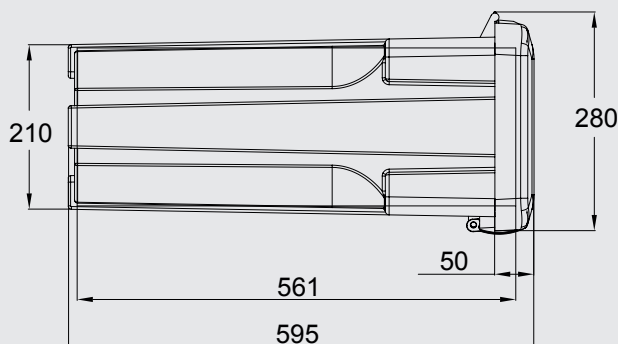
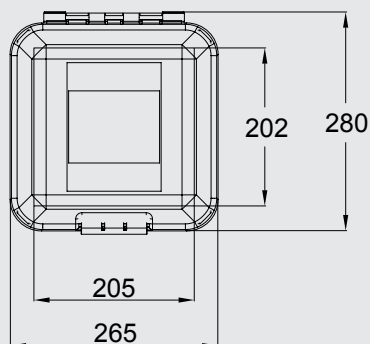
Material: polypropylene, nylon

Production Process: Injection Molding

Label with company logo

COMPONENTS

- Nylon tension spring for fire extinguisher
- Nylon handle
- EPDM seal



PRODUCT FEATURES

- 1 Innovative reinforced and non deformable structure to ensure solidity and durability
- 2 Optional inspection window
- 3 Nylon tension spring for fire extinguisher (max \varnothing 160)
- 4 Lockable to ensure maximum security
- 5 Internal EPDM seal against water and dust ingress
- 6 Body structure fit for fixing the brackets on any side
- 7 Logistics optimization thanks to the stackability of the disassembled product (fast and intuitive to assemble)



OPTIONALS

BRACKETS FIT FOR MOUNTING AT 30°/60°

OPTIONS: Resin label

SPARE PARTS: 89567, 85990008, 89504000

AVAILABLE VERSIONS



82410



82411